

Polishing Machine for Improved Product Quality

# Milling Polisher

**KB75HS(2)-T**



KB75HS(2)-T

**SATAKE CORPORATION**

The Satake Milling Polisher KB75HS(2)-T cleans the surface of rice, significantly enhancing the quality of finished products. The machine has achieved an excellent reputation in many countries for its high performance and for the innovations which have been incorporated over the past 30 years.

## FEATURES:

### 1. Increased capacity

Enhanced conveying and polishing systems provide capacity double that of the KB40G-TA, without increasing installation space.

### 2. Improves rice quality

Greater mist-adding capacity controls rice temperature during polishing and allows uniform removal of bran, producing brilliantly white, shiny rice.

### 3. Easy maintenance

A redesigned main body side cover greatly improves maintenance efficiency.

### 4. Easy operation

The flow control dial is located on the upper part of the front panel for easy access and operation.

### 5. Broad applicability

Use in combination with other Satake milling equipment to process a wide variety of rice, including GABA and parboiled rice.

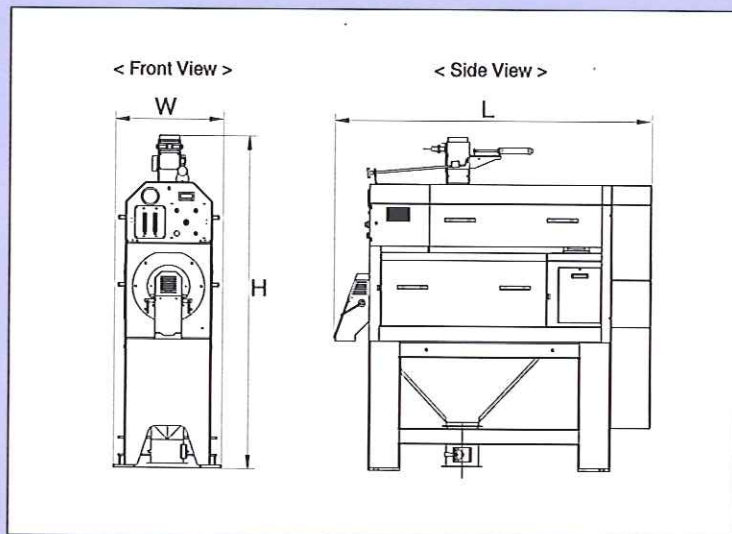
## MILLING POLISHER

### Specifications

Model	KB75HS(2)-T
Required Power (kW)	55,75
Input Capacity (t/h)*	4.5~7.0
Required Air Volume (m <sup>3</sup> /min)	50~
Required Static Pressure (kPa)	-2.0~-1.5
Net Weight (kg)	910

\* Input capacity depends on material.

### Dimensions



Model	W(mm)	L(mm)	H(mm)
KB75HS(2)-T	685	2,834	2,110

\* It is recommended to install a Rotary Sifter just before the machine to remove broken grains and branny material for the following cases:

- a- When processing white rice to produce the best-polished rice.
- b- When using the machine as a rice whitening machine.

All Satake products are the subject of continuous development and, as a result, their specification may change and differ in detail from those shown.

## SATAKE CORPORATION

### Head Office

2-30, Saijo-Nishihonmachi,  
Higashi-Hiroshima, 739-8602, Japan  
Tel : +81-82-420-8560/8539  
Fax : +81-82-420-0865  
e-mail : international@satake-japan.co.jp  
URL : www.satake-japan.co.jp

### UK Division

P.O.Box 53, Bredbury, Stockport,  
Cheshire, SK6 2FG, England  
Tel : +44-161-406-3800  
Fax : +44-161-406-3801  
e-mail : sales@satake.co.uk  
URL : www.satake.co.uk

### Yangon Office

No.32, Pyay Road,  
Hlaing Township, Yangon  
Myanmar  
Tel : +95-1-525077  
Fax : +95-1-512742  
e-mail : ygsatake@mptmail.net.mm

### Beijing Office

Building No.2, Room 4405,  
208, 2nd Zone, Lize  
Zhongyuan, Chaoyang District,  
Beijing, People's Republic of China  
Tel : +86-10-8454-0146  
Fax : +86-10-8454-0145

### SATAKE USA INC.

10905 Cash Road,  
Stafford, Texas 77477 U.S.A.  
Tel : +1-281-276-3600  
Fax : +1-281-494-1460  
e-mail : rice@satake-usa.com  
URL : www.satake-usa.com

### SATAKE (CANADA) INC.

5100 Fallingbrook Drive  
Mississauga, Ontario, L5V  
1S7, Canada  
Tel : +1-905-858-0791  
Fax : +1-905-858-0957  
e-mail : sales@satake-canada.com

### SATAKE AMERICA LATINA LTDA.

Rua Xavantes, 155-Bairro  
Atradores, CEP 89203-210,  
Joinville, Santa Catarina, Brazil  
Tel : +55-47-3461-1313  
Fax : +55-47-3461-1300  
e-mail : ricardo@satake.com.br

### SATAKE INDIA ENGINEERING PVT. LTD.

4th Floor, Tower-1, HB Twin Towers, A2,  
3, 4-Netaji Subhash Place, Wazirpur  
District Centre, New Delhi, 110034, India  
Tel : +91-11-4706-2626  
Fax : +91-11-4706-2624  
e-mail : satake@del2.vsnl.net.in

### SATAKE (THAILAND) CO., LTD.

133 Moo 5, Bangkadi Industrial Park,  
Tivanon Road, Palumbani 12000, Thailand  
Tel : +66-2-501-1180  
Fax : +66-2-501-1188  
e-mail : sataketh@asia.com  
URL : http://www.sataketh.com/

### SATAKE INTERNATIONAL BANGKOK CO., LTD.

888/84 Mahatun Plaza Bld. 8th Floor  
Ploenchit Rd., Lumpini Pathumwan  
Bangkok 10330, THAILAND  
Tel : +66-2-651-5845  
Fax : +66-2-651-5848  
e-mail : sataketh@asia.com

### SATAKE MANUFACTURING (SUZHOU) CO., LTD.

Jin Feng Road, Suzhou  
New District, Suzhou City,  
Jiangsu Province P.R.China  
Tel : +86-512-6536-8225  
Fax : +86-512-6536-5922  
e-mail : satake@satake.cn

### SATAKE AUSTRALIA PTY. LTD.

15 Leland Street, Penrith,  
N.S.W., 2750, Australia  
Tel : +61-2-4725-2600  
Fax : +61-2-4725-2601  
e-mail : info@satake.com.au  
URL : www.satake.com.au

SATAKE CORPORATION has  
obtained ISO 9001 and ISO  
14001 certification.  
These international standards  
for management systems  
ensure Satake will continue to  
provide high quality products  
and services.

ISO 9001 Certification  
(Quality Management Systems)  
ISO 14001 Certification  
(Environmental Management Systems)