

# PADDY SEPARATOR

The Satake Paddy Separator is an oscillation-type paddy separator with a very high sorting performance and an easy maintenance design. All varieties of rice such as long grain, medium grain and short grain can be sorted easily and accurately. It separates a mixture of paddy and brown rice into three distinct classes: paddy, mixture of paddy and brown rice and brown rice, to be sent to a husker, back to the paddy separator and to a rice whitener, respectively.

## FEATURES:

### 1. Stable Performance:

Adjustment during operation is not necessary because of its constant and stable separating performance.

### 2. Minimized Installation Space:

Compact design and large capacity means that installation space for a given separating capacity is very small.

### 3. Automatic Stop Device:

Machine automatically stops when the tank is nearly empty.

### 4. Easy Sampling:

Samples of brown rice can be taken from a special outlet by diverter valves, for easy inspection of quality and flow rate.

### 5. Easy Inspection of Separating Condition:

The discharge side is covered with a transparent cover so that the separating conditions of the grain are easily checked.

### 6. Easy Flow Adjustment:

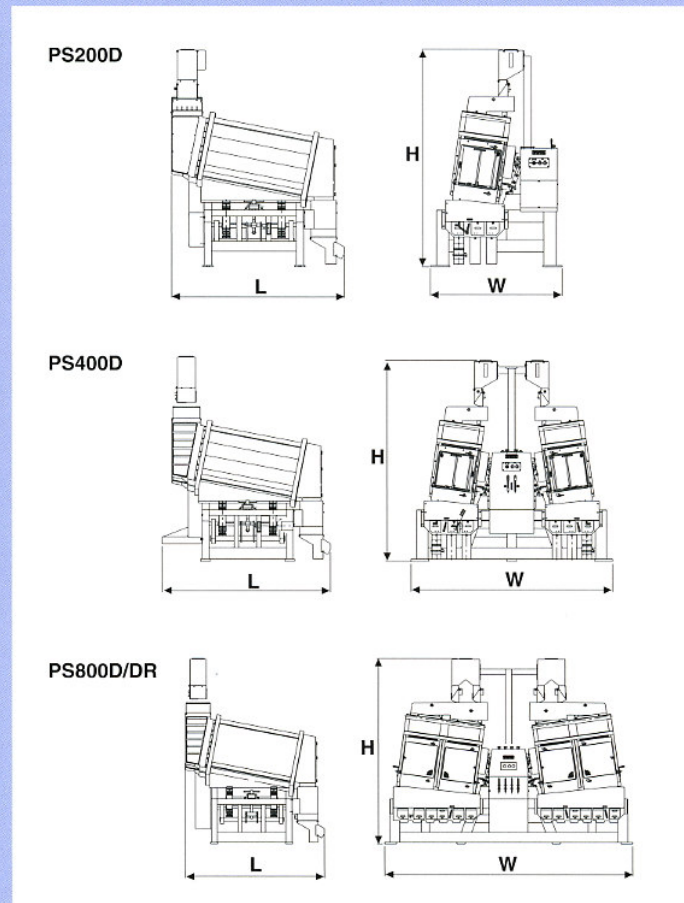
Flow rates are adjusted by a manual remote lever on "D" model and by increase / decrease buttons on "DR" model.

## Specifications

Model	PS200D	PS400D	PS800D/DR
Required Power (kW)	0.75 (4P)	2.2 (4P)	3.7 (4P)
Output Capacity (t/h) *	2~2.5	2.5~3.5	7~10

\* Brown Rice, Long grain.

## Dimensions



Model	W (mm)	L (mm)	H (mm)	Weight (kg)	Volume (m <sup>3</sup> )
PS200D	1,400	1,870	2,200	970	5.7
PS400D	2,230	1,870	2,200	1,670	9.4
PS800D/DR	3,130	1,760	2,360	2,250/2,300	14.0

All Satake products are the subject of continuous development and, as a result, their specification may change and differ in detail from those shown.

SATAKE CORPORATION is registered with ISO9001 standards for quality management systems and ISO14001 standards for environmental management systems.

## SATAKE CORPORATION



ISO9001



ISO14001

### Head Office

2-30, Saijo-Nishihonmachi, Higashi-Hiroshima, 739-8602, Japan  
Tel : +81-824-20-8560/8539  
Fax : +81-824-20-0865  
e-mail: kg-hiroshima@satake-japan.co.jp  
URL : www.satake-japan.co.jp

### UK Division

P.O.Box 53, Bredbury, Stockport, Cheshire, SK6 2FG, England  
Tel : +44-161-406-3800  
Fax : +44-161-406-3801  
e-mail : sales@satake.co.uk  
URL : www.satake.co.uk

### New Delhi Office

11th Floor, Dr. Gopal Das Bhaven, 28 Barakhamba Road, New Delhi 110001 India  
Tel : +91-11-3738646  
Fax : +91-11-3738647

### Beijing Office

Room 203B, Chang Xin Building, No.39 An Ding Road, Chao Yang District, Beijing, P.R. China  
Tel : +86-10-6443-3822  
Fax : +86-10-6443-4188

### Bangkok Office

133 Moo 5, Bangkadi Industrial Park Tivanon, Road, Patumthani 12000 Thailand  
Tel : +66-2-501-1223  
Fax : +66-2-501-1225  
e-mail : sataketh@asia.com

### Yangon Office

No.4 Kanthaya Street, South Okkalapa Township, Yangon Myanmar  
Tel : +95-1-578303  
Fax : +95-1-570610

### SATAKE USA INC.

9800 Townpark, Houston, Texas 77036 U.S.A.  
Tel : +1-713-772-8400  
Fax : +1-713-772-8484  
e-mail : rice@satake-usa.com  
URL : www.satake-usa.com

### SATAKE AUSTRALIA PTY. LTD.

23-25 Marigold Street, Revesby, NSW 2212 Australia  
Tel : +61-2-9774-1155  
Fax : +61-2-9774-1248  
e-mail : sataus@ozemail.com.au  
URL : www.satake.com.au

### SATAKE (THAILAND) CO., LTD.

133 Moo 5, Bangkadi Industrial Park Tivanon Road, Patumthani 12000 Thailand  
Tel : +66-2-501-1180  
Fax : +66-2-501-1188  
e-mail : sataketh@asia.com

### SATAKE MANUFACTURING (SUZHOU) CO., LTD.

Jin Feng Road, Suzhou New District, Suzhou City, Jiangsu Province P.R.China  
Tel : +86-512-6536-8225  
Fax : +86-512-6536-3004  
URL : www.satake-suzhou.com.cn

### SATAKE (CANADA) INC.

2550 Argenta Road, Suite 119 Mississauga, Ontario L5N 5R1 Canada  
Tel : +1-905-858-0791  
Fax : +1-905-858-0957

### SATAKE AMERICA LATINA LTDA.

Conjunto Empresarial Joinville Rua Xavantes, 155-Bairro Atiradores 89203-210-Joinville-Santa Catarina, Brazil  
Tel : +55-47-438-0413  
Fax : +55-47-438-7932  
e-mail : ricardo@satake.com.br